

Sumeru RISCv SBC Board Schematics

Sheet: [Power Section](#)

File: prod1_power.sch

Power

Sheet: [IO Section](#)

File: prod1_fpga_io.sch

I/O

Sheet: [Configuration Section](#)

File: prod1_fpga_config.sch

Configuration

Sheet: [LCD Display Section](#)

File: prod1_lcd.sch

LCD Display

Author: r0h17@purpe.com

Purpose Research - <https://www.purpe.com>

Sheet: /

File: prod1.sch

Title: Sumeru RISCv SBC

Size: A4

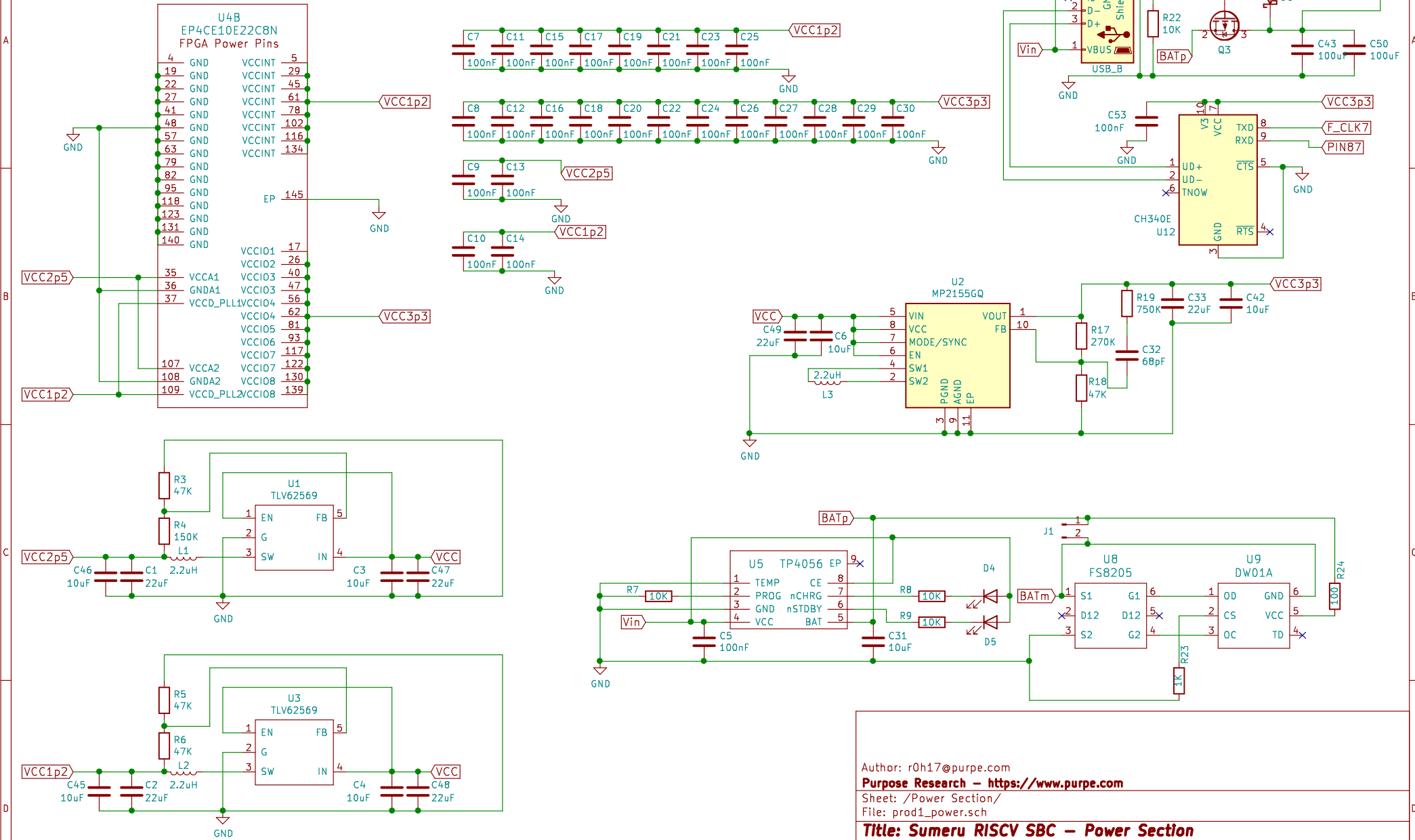
Date: 2020-04-22

Rev: v1.0

KiCad E.D.A. kicad 5.1.8+dfsg1-1bpo10+1

Id: 1/5

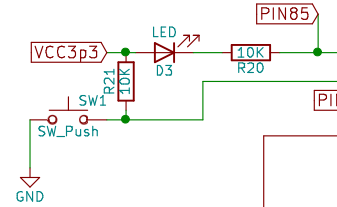
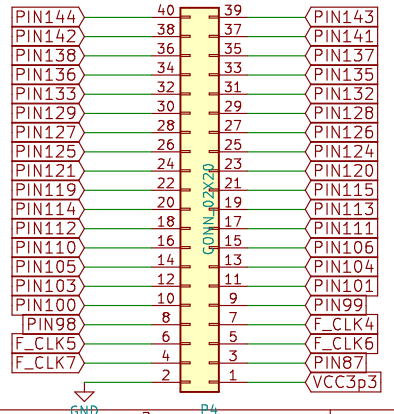
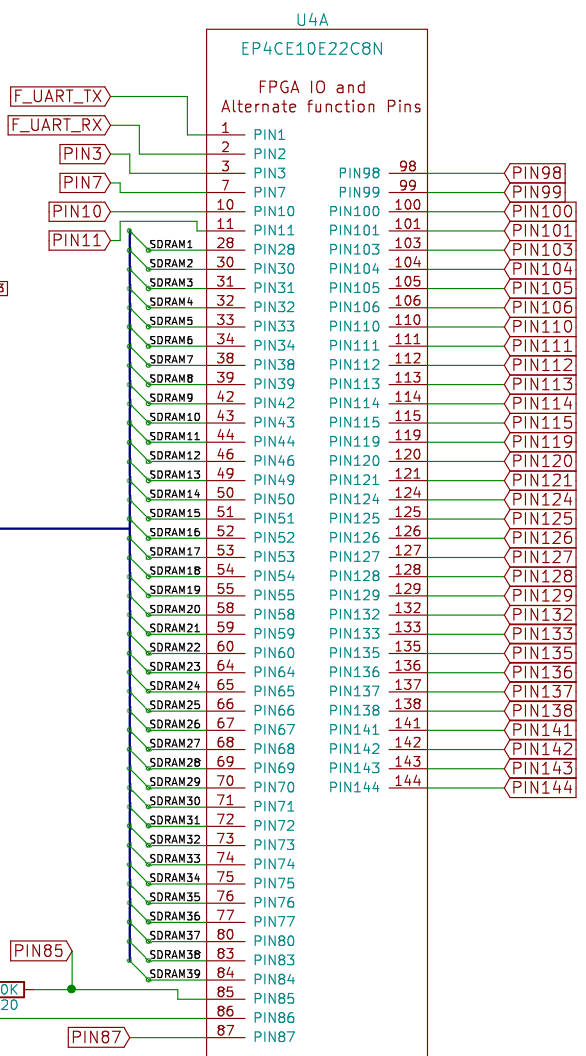
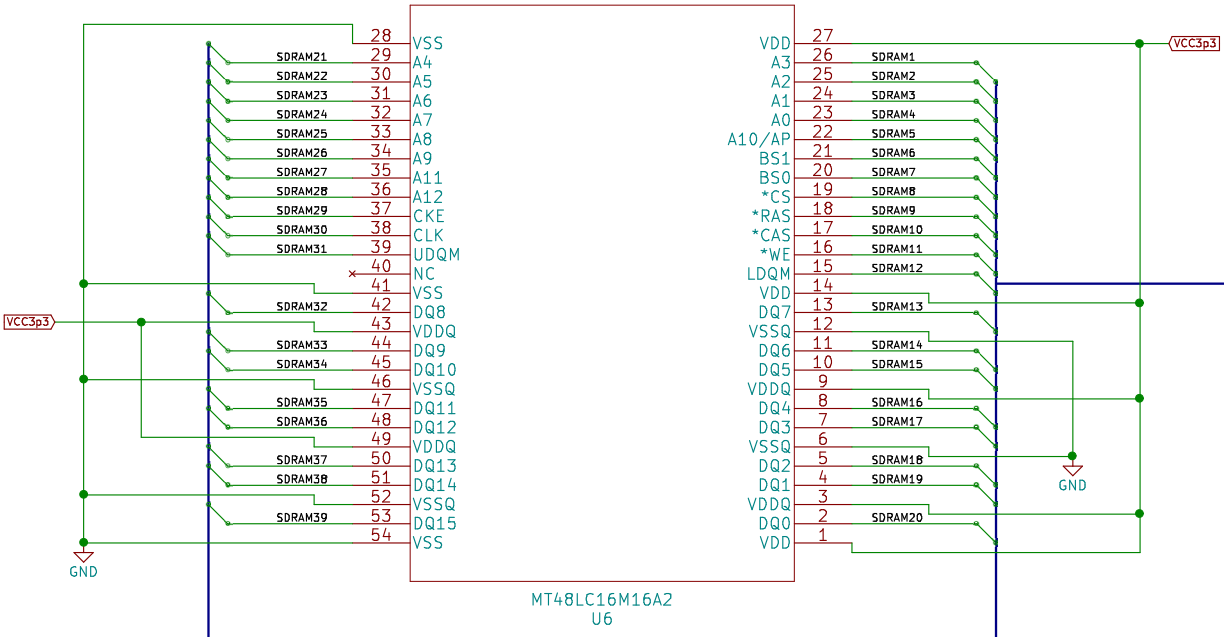
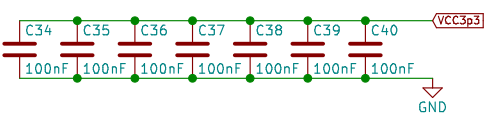
Power Section



Author: r0h17@purpe.com
Purpose Research - <https://www.purpe.com>
 Sheet: /Power Section/
 File: prod1_power.sch

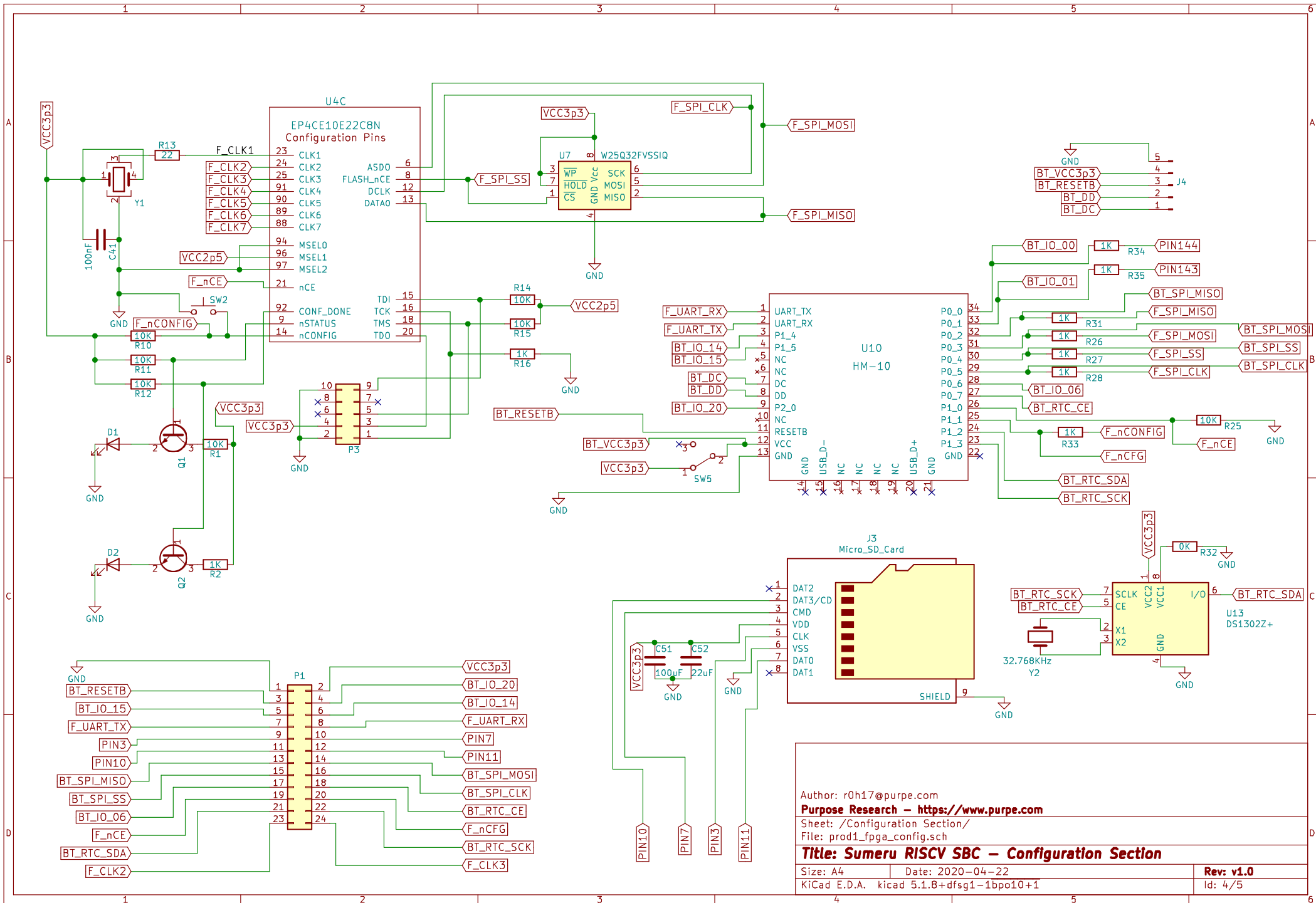
Title: Sumeru RISCv SBC – Power Section

Size: A4	Date: 2020-04-22	Rev: v1.0
KiCad E.D.A. kicad 5.1.8+dfsg1-1bpo10+1		Id: 2/5



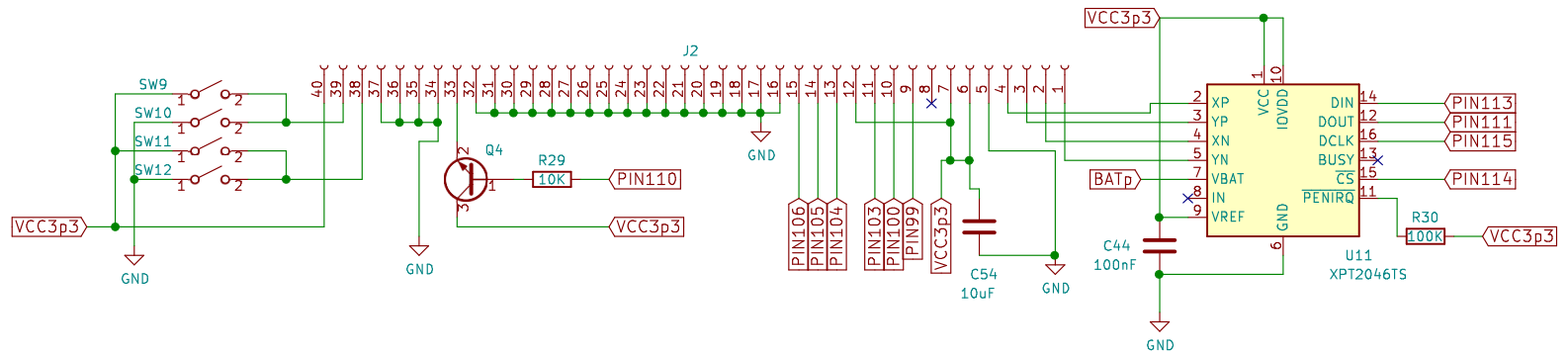
Author: r0h17@purpe.com
 Purpose Research - <https://www.purpe.com>
 Sheet: /IO Section/
 File: prod1_fpga_io.sch

Title: Sumeru RISCv SBC - IO Section



Author: r0h17@purpe.com
Purpose Research - <https://www.purpe.com>
 Sheet: /Configuration Section/
 File: prod1_fpga_config.sch
Title: Sumeru RISC-V SBC - Configuration Section

Size: A4	Date: 2020-04-22	Rev: v1.0
KiCad E.D.A. kicad 5.1.8+dfsg1-1bpo10+1		Id: 4/5



Author: r0h17@purpe.com

Purpose Research – <https://www.purpe.com>

Sheet: /LCD Display Section/

File: prod1_lcd.sch

Title: Sumeru RISCv SBC – LCD Display Section

Size: A4

Date: 2020-04-22

Rev: v1.0

KiCad E.D.A. kicad 5.1.8+dfsg1-1bpo10+1

Id: 5/5